



LEFROY BROOKS

1 8 2 8 T R O U T M A N S T R E E T
R I D G E W O O D N E W Y O R K N Y 1 1 3 8 5 U S A
T: +1(718) 302 5292 F: +1(718) 302 4177

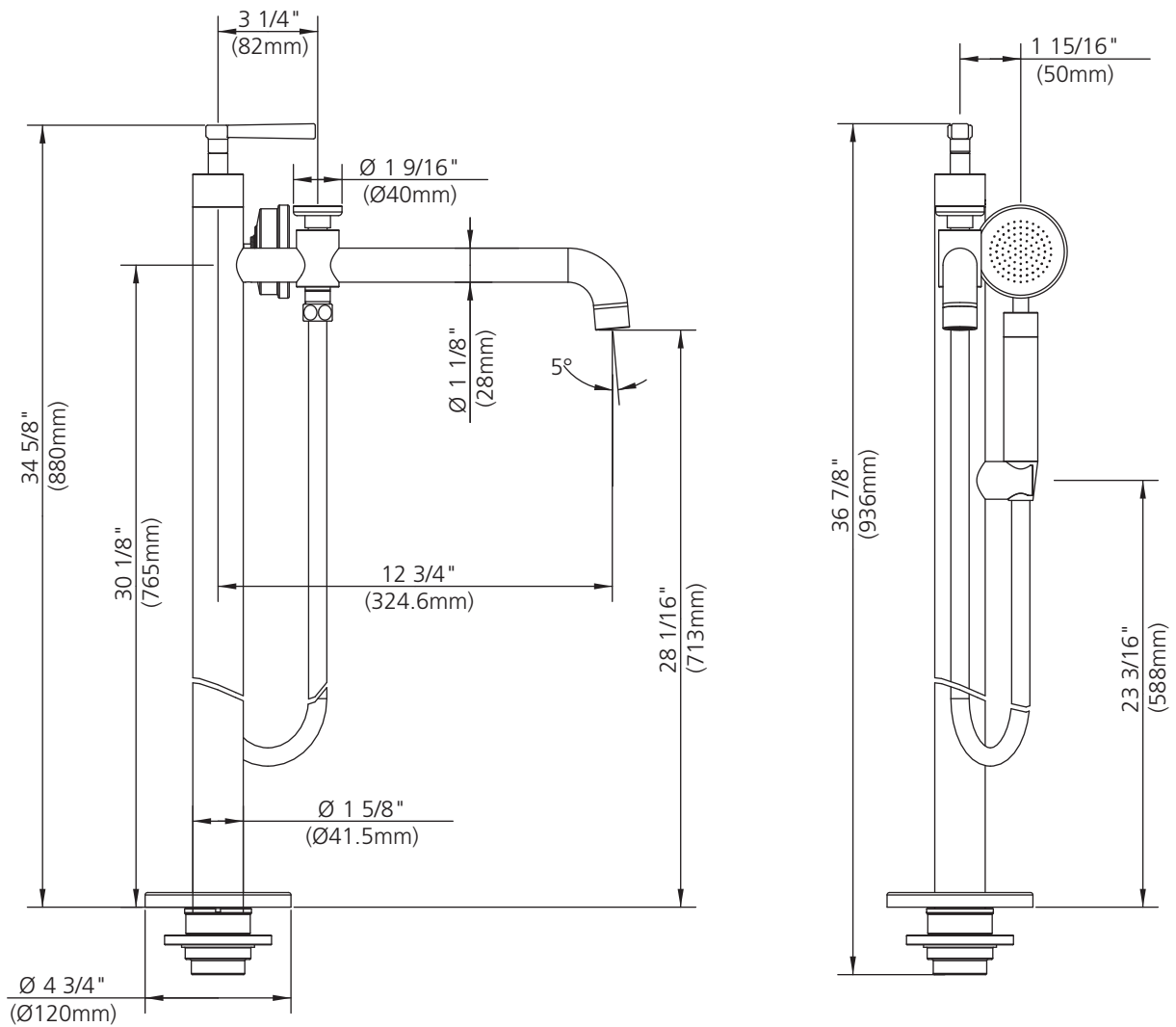
M2-2301

FLEETWOOD LEVER SINGLE-LEG BATH SHOWER MIXER WITH
BLACK HANDLE TRIM ONLY, TO SUIT R1-4210 ROUGH

DIMENSIONAL DATA SHEET

DATE: 06 OCT 2014

No: FS1C4700



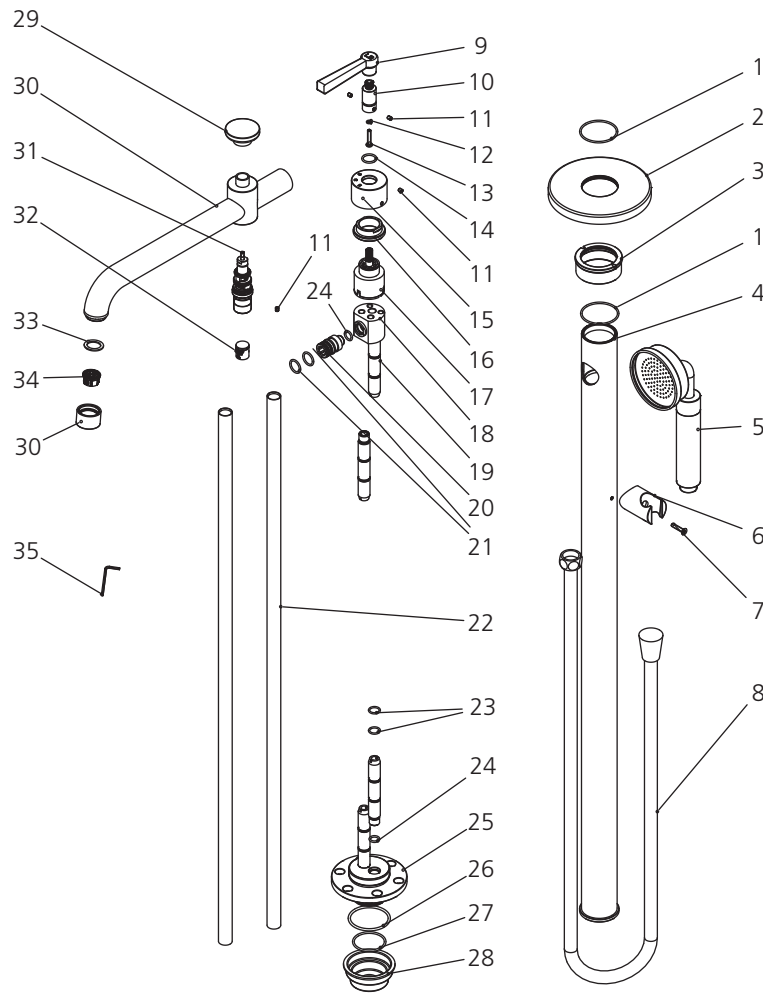
COPYRIGHT © LBIP LTD 2012. ALL RIGHTS RESERVED.

DIMENSIONS IN INCHES & MILLIMETRES

WHILST EVERY EFFORT IS MADE TO ENSURE THE ACCURACY OF THESE DATA SHEETS THEY ARE SUBJECT TO CHANGE WITHOUT NOTICE AS PART OF THE COMPANY'S PRODUCT DEVELOPMENT PROCESS

M2-2301

FLEETWOOD LEVER SINGLE-LEG BATH SHOWER MIXER WITH BLACK HANDLE TRIM ONLY, TO SUIT R1-4210 ROUGH

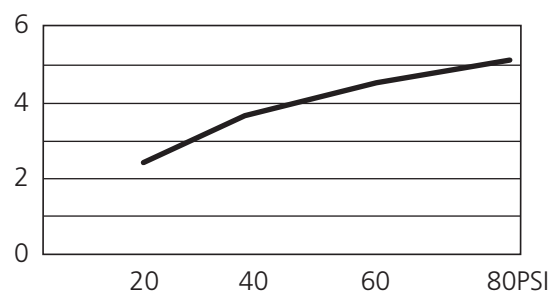


1	O-ring (072014)	13	Screw (008500)	25	Body (076701)
2	Flange (019319)	14	O-ring (004076)	26	O-ring (004045N)
3	Nut (009288)	15	Handle base (215531-51)	27	O-ring (072088N)
4	Connection tube (064320)	16	Adjusting ring (104257)	28	Protective Cap (045247)
5	Hand shower (S2110314)	17	Cartridge (507859N)	29	Button (036270)
6	Shower bracket (112424)	18	Inside body (066551)	30	Spout Assembly (523835)
7	Screw (008734)	19	Adapter (067928)	31	Diverter (501347E)
8	Shower hose (105681)	20	Adapter (067927)	32	Backflow Preventer (519208)
9	Handle (029686-50-T)	21	O-ring (072016)	33	Oil seal (010899)
10	Extension rod (110488)	22	Internal pipe (051645)	34	Aerator insert (114237R)
11	Set screw (008191)	23	O-ring (048085)	35	Aerator housing (305781)
12	Washer (013570)	24	O-ring (004509N)	36	Allen Key (031003)

Standards

IAPMO/cUPC Listed
Meets A112.18.1

Flow Rate



Please note :

Final achievable flow rate is dependent on the outlets fitted, see relevant outlets (spouts, roses, sprays) for fully assembled product flow rate.